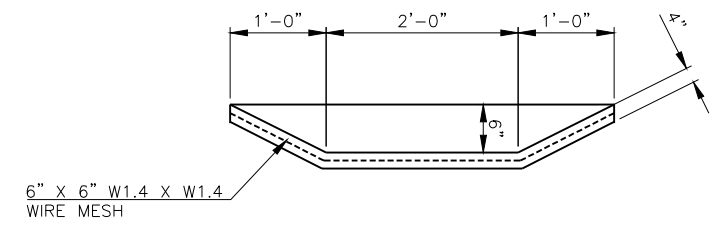
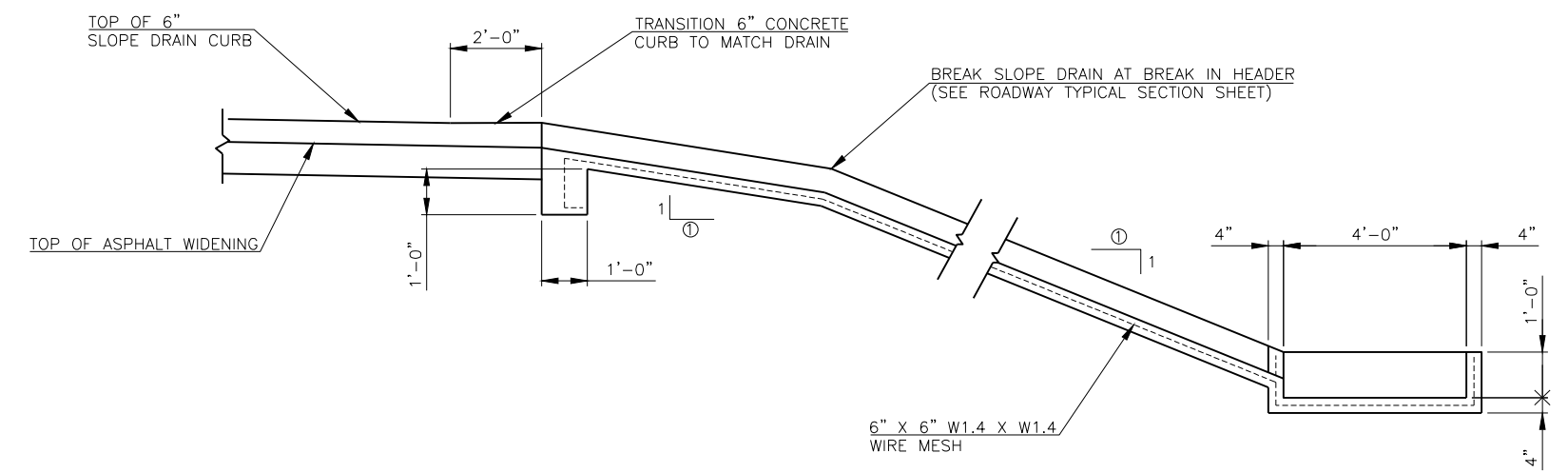


SECTION A



SECTION B-B



SECTION C-C

NOTE:
FOR DETAILS OF ASPHALT ROADWAY AND WIDENING SEE ROADWAY PLANS.

SLOPE DRAINS, SPLASH BASINS AND SLOPE DRAIN CURB SHALL BE CONSTRUCTED USING CLASS 'C' CONCRETE AS SHOWN ON THIS SHEET. LENGTH OF SLOPE DRAIN SHOWN IN THE PLANS IS ESTIMATED. ACTUAL LENGTH TO BE DETERMINED IN THE FIELD BY THE ENGINEER. ALL COSTS OF THE SLOPE DRAINS, SPLASH BASINS AND SLOPE DRAIN CURBS INCLUDING REINFORCEMENT SHALL BE INCLUDED IN THE BRIDGE PAY ITEM FOR "CLASS 'C' CONCRETE".

SLOPE DRAINS SCHEDULE	
SLOPE DRAIN	ESTIMATED LENGTH
ABUTMENT NO. 1 - WEST	43'-0"
ABUTMENT NO. 1 - EAST	32'-0"
ABUTMENT NO. 2 - WEST	48'-0"
ABUTMENT NO. 2 - EAST	48'-0"

SLOPE DRAIN QUANTITIES		
ITEM	UNITS	TOTAL
CLASS C CONCRETE	C.Y.	11.0

DESIGN	J.W.H.	SH34 OVER S. PERSIMMON CREEK	WOODWARD COUNTY
DRAWN	Z.M.B.	BRIDGE A	
CHECKED	J.W.H.	SLOPE DRAIN DETAILS	
APPROV.	T.A.C.		
SQUAD	CEC		
		JOB PIECE NO. 28825(04)	SHEET NO. 41